



TRACKED EXCAVATOR | JS131 LC

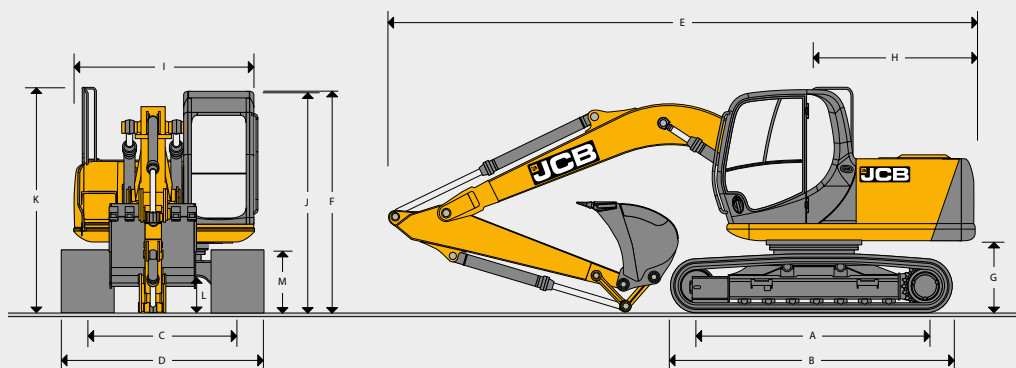
Engine power: 55kW (74hp) Bucket capacity: 0.35 – 0.89m³ Operating weight: 13991 - 14288kg



www.fb-machinery.com
info@fb-machinery.com
+36 20 584 5015



STATIC DIMENSIONS



STATIC DIMENSIONS

A	Track length on ground	mm	2865			
B	Undercarriage overall length	mm	3605			
C	Track gauge	mm	1990			
D	Width over tracks (500mm trackshoes)	mm	2490			
D	Width over tracks (600mm trackshoes)	mm	2590			
D	Width over tracks (700mm trackshoes)	mm	2690			
D	Width over tracks (850mm trackshoes)	mm	2840			
Arm lengths			2.1m	2.5m	2.7m	3.0m
E	Transport length	mm	7515	7478	7420	7300
F	Transport height	mm	2867	2867	3209	3289
G	Counterweight clearance*	mm	905			
H	Tail swing radius	mm	2135			
I	Width of superstructure	mm	2410			
J	Height over cab*	mm	2845			
K	Height over grab rail*	mm	2867			
L	Ground clearance*	mm	425			
M	Track height	mm	811			

ENGINE

Model	JCB EcoMAX 444 TCA 55 EU Stage IIIB, EPA Tier 4 Final compliant.
Type	Water cooled, 4-stroke, 4-cylinder in-line, common rail injection, turbocharged fixed geometry intercooled diesel.
Rated power (ISO 14396)	55 kW (74 hp) @ 1800 rpm
Piston displacement	4.4 litres.
Air filtration	Dry.
Starting system	24 volt.
Batteries	2 x 12 volt.
Alternator	24 volt 55 ampere.

SLEW SYSTEM

Slew motor	Axial piston type
Slew brake	Hydraulic braking plus automatic spring applied disc type parking brake.
Slew torque	36.2 kNm
Slew speed	13.3 rpm
Slew gear	Large diameter, internally toothed fully sealed grease bath lubricated.

UNDERCARRIAGE

Recovery point	Front and rear.	
Upper & lower rollers	Heat treated, sealed and lubricated.	
Track adjustment	Grease cylinder type.	
Track type	Sealed and lubricated.	
Track idler	Sealed and lubricated, with spring cushioned recoil.	
Track shoes	500mm triple grouser	500mm GEOGRIP
	600mm triple grouser	500mm Rubber shoes
	700mm triple grouser	600mm Rubber shoes
	850mm triple grouser	
Rollers and Shoes (each side)		
Upper rollers	2	
Lower rollers	7	
Track shoes	44	

TRACK DRIVE

Type	Fully hydrostatic, two speed with autoshift between high and low speed.
Travel motors	Variable swash axial piston type, fully guarded within undercarriage frame.
Final drive	Planetary reduction, bolt-on sprockets.
Servcie brake	Hydraulic counter balance valve.
Park brake	Disc type, spring applied, automatic hydraulic release.
Gradeability	70% (35 deg) continuous.
Travel speed	High - 6.6 km/h Low - 3.8 km/h
Tractive effort	101.9 kNm

HYDRAULIC SYSTEM	
Pumps	
Main pumps	2 variable displacement axial piston type.
Maximum flow	2 x 130 l/min.
Servo pump	Gear type.
Maximum flow	20 L/min.
Control valve	
A combined four and five spool control valve with auxiliary service spool as standard	
Relief valve settings	
Boom/Arm/Bucket	314 bar.
With power boost	343 bar.
Swing circuit	279 bar.
Travel circuit	343 bar.
Pilot control	40 bar.
Filtration	
In tank	150 micron, suction strainer.
Main return line	10 micron, glass fibre element.
Pilot line	10 micron, paper element.
Hydraulic hammer return	10 micron, reinforced microform element.

SERVICE CAPACITIES	
	Litres
Fuel tank	220
Engine coolant	19.7
Engine oil	14
Swing reduction gear	2.2
Track reduction gear (each side)	3.5
Hydraulic system	126
Hydraulic tank	73

WEIGHTS AND GROUND BEARING PRESSURES		
Shoe Width	Operating Weight	Bearing Pressure
Machine equipped with 4.7m Monoboom, 2.5m Dipper, 417kg Excavating Bucket, operator and full fuel tank.		
500mm	13661kg	0.44kg/sq.cm
600mm	13768kg	0.37kg/sq.cm
700mm	13876kg	0.32kg/sq.cm
850mm	14038kg	0.27kg/sq.cm

BUCKET AND ARM COMBINATION										
Bucket options	GP Bucket						Grade Bucket			
	600	700	800	1000	1200	1300	1524	1836	1836	
Bucket width mm	600	700	800	1000	1200	1300	1524	1836	1836	
Bucket capacity m ³	0.35	0.42	0.50	0.66	0.81	0.89	0.65	0.79	0.79	
Bucket weight kg	286	312	335	383	428	454	452	512	581	
2.10m Quickhitch (No Quickhitch)	☐ (☐)	☐ (☐)	☐ (☐)	■ (☐)	● (■)	● (■)	■ (☐)	● (■)	● (■)	
2.50m Quickhitch (No Quickhitch)	☐ (☐)	☐ (☐)	☐ (☐)	■ (☐)	● (■)	● (●)	■ (■)	● (●)	● (●)	
2.70m Quickhitch (No Quickhitch)	☐ (☐)	☐ (☐)	☐ (☐)	■ (■)	● (●)	X (●)	● (■)	● (●)	X (●)	
3.00m Quickhitch (No Quickhitch)	☐ (☐)	☐ (☐)	☐ (☐)	● (■)	X (●)	X (●)	● (■)	X (●)	X (●)	

☐ = Material weight up to 1800kg/m

● = Material weight up to 1500kg/m

■ = Material weight up to 1200kg/m

These recommendations are given as a guide based on typical operating conditions.

Please contact your distributor for the correct selection of buckets and attachments to suit the application.

WORKING RANGE

		2.1m	2.5m	2.7m	3.0m	
Dipper length:						
A	Maximum digging reach	mm	7517	8340	8522	8796
B	Maximum digging reach (on ground)	mm	7356	8197	8380	8660
C	Maximum digging depth	mm	4809	5530	5425	6028
D	Maximum digging height	mm	8375	9118	9242	9440
E	Maximum dumping height	mm	6115	6729	6855	7041
F	Maximum vertical wall cut depth	mm	3219	3625	3712	4050
G	Minimum swing radius	mm	2337	2231	2505	2591
	Bucket rotation	deg	182°	182°	182°	182°
	Maximum dipper tearout	kNm	72.5	64.6	63.2	58.7
	Maximum bucket tearout	kNm	91.9	91.9	91.9	91.9

WORKING RANGE

